

AETES

NOVA SERIES UPS

True Online Double Conversion

High Efficiency up to %95

Full Digital Control



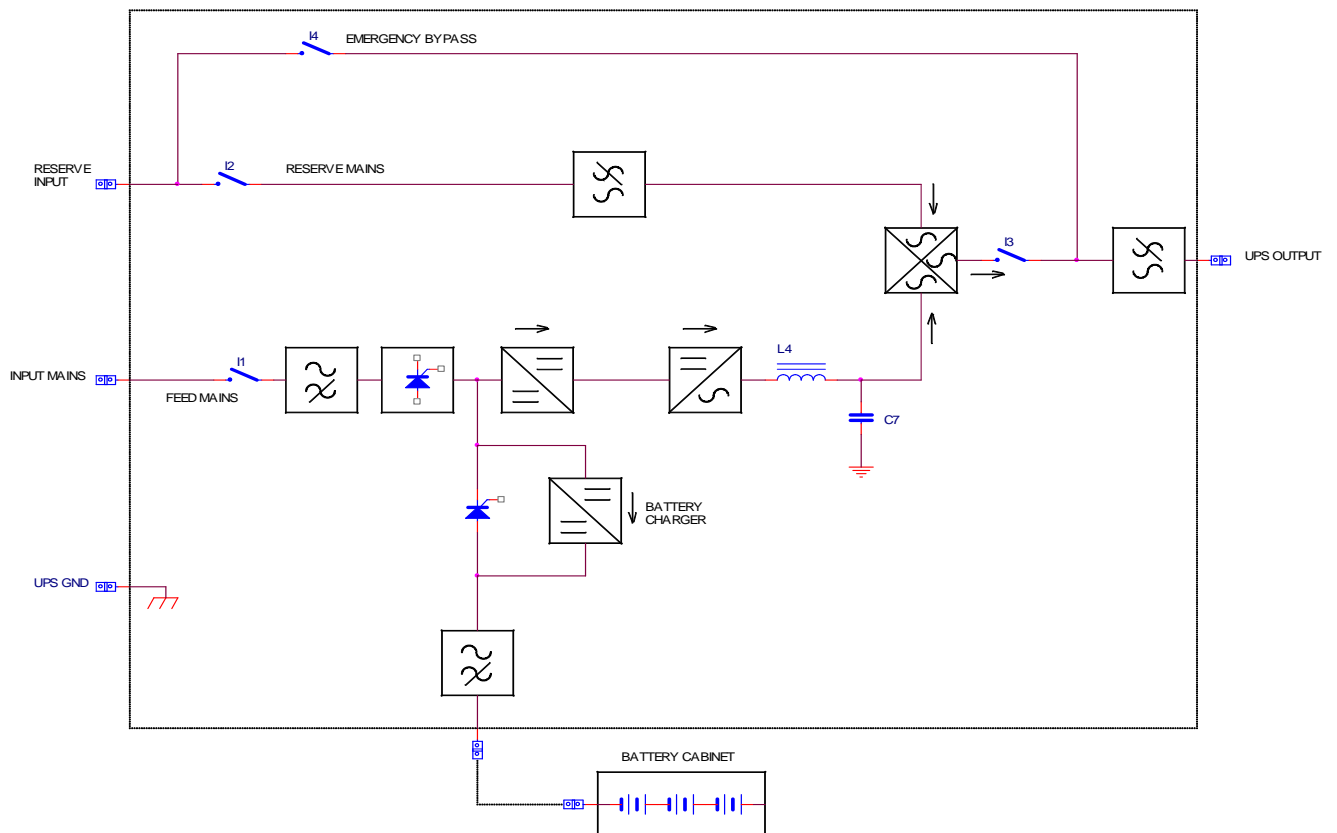
"...power alliance..."

DESCRIPTION

The AETES NOVA series has true on-line double conversion topology, high frequency PWM technology, digital control, 0.99 power factor, low noise level, high efficiency and upgraded man-machine interface. Up to 8 systems can be installed in parallel connection with distributed by-pass. All these are characteristics that allow us to confirm that the NOVA ups systems are an expert solution for any type of power supply requirement.

The NOVA series has a special and innovative cooling system where the cooling fluid is circulating in a sealed circuit chilled by redundant cooling fans. This innovative feature is studied to eliminate the heat stress from the power components for a better ups performance and an efficiency improvement. Thanks to this technology the components are cooled better than in any other system available on the market.

BLOCK DIAGRAM



ACCESSORIES AND FEATURES:

EMERGENCY POWER OFF (EPO)
 RELAY CARD FREE CONTACTS
 RS232 FOR REMOTE CONTROL
 POWER SAVE OPERATION MODE
 FREQUENCY CONVERTER 50/60 Hz OR 60/50 Hz OPERATION MODE
 FRONT ACCESS
 SELF DIAGNOSTIC
 RECTIFIER 12 PULS

OPTIONS:

Management Software
 SNMP Adapter
 Teleservice
 Remote Panel
 Isolation transformer
 Backfeed protection system
 Extra relay card
 Protection degree IP31

TECHNICAL DATA

NOMINAL POWER (kVA)	160	200	250	300	400	500
ACTIVE POWER (kW)	128	160	200	240	320	400

TECHNOLOGY ON LINE, DOUBLE CONVERSION

INPUT

NOMINAL VOLTAGE	380/400/415 VAC THREE PHASE + N
VOLTAGE STABILITY	± 10%
NOMINAL FREQUENCY	50/60 Hz
POWER FACTOR	> 0.99

OUTPUT

NOMINAL VOLTAGE	380/400/415 VAC THREE PHASE + N
VOLTAGE STABILITY	±1%
NOMINAL FREQUENCY	50/60 Hz
POWER FACTOR	0.8
FULL LOAD EFFICIENCY	UP TO 95%

GENERAL DATA

IP PROTECTION RATING	IP20 (UPGRADABLE TO IP31)
NOISE	65 dB (A)
OPERATING TEMP. RANGE	0-40 °C
BATTERY TEMP. RANGE	AS SUGGESTED BY THE BATTERY MANUFACTURER (18-25 °C)
RELATIVE HUMIDITY	< 95% NOT CONDENSING
COLOUR	GREY RAL 7035
COMPLIANCE	EN62040-1, EN62040-2, EN62040-3