

AETES

PURE SINEWAVE SERIES

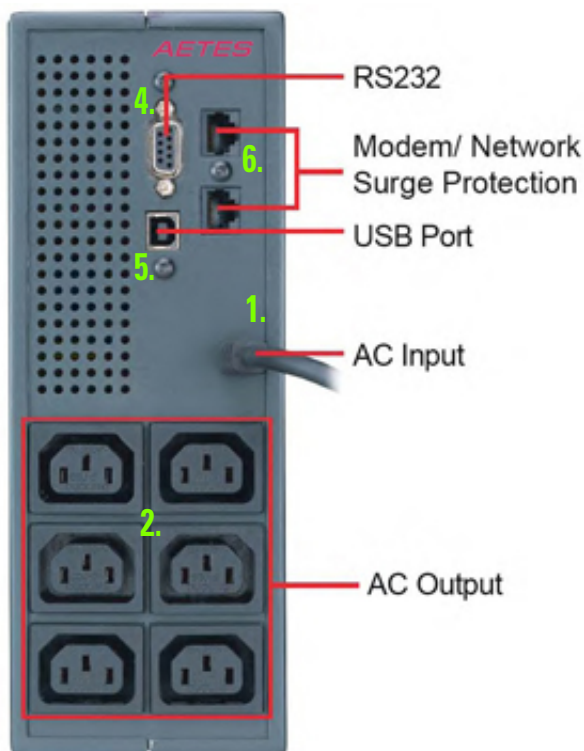
*Line Interactive True Sinewave
USB & Serial Communication
User-Replaceable Hot-Swappable Battery*



750-1000VA

BACK PANEL

1. AC input.
2. AC output.
4. RS-232 interface.
5. USB port
6. Data line protection



- ▶ 1000VA model

COMMUNICATIONS

- ▶ RS-232 interface.
- ▶ Monitoring software.
- ▶ USB port card.

DESCRIPTION

AETES Pure Sinewave series are available in 750, 1000, 1500, 2200 and 3000 VA sizes which have been designed for computer workstations and servers, sensitive equipments and security systems. The systems enable to protect your computer system and save your work because they are powerful to stabilize and regulate the output voltage against any spike, sags and blockouts from any power sensitive electronics. And the series are also specially designed for vertical and horizontal placement.

FEATURES

- Provides Line-Interactive Design and True Sinewave Output
- Microprocessor Control Guaranties High Reliability
- High Frequency Design
- Built-in Boots and Buck AVR to Stabilize the Voltage Output
- Selectable Output Range and Operating Mode
- User-Replaceable Hotswappable Battery Design and Cold Startup
- Enable to Extend Runtime with Scalable External Battery Pack
- Built-in Fax/Modem Surge Protection RS-232 and USB Communication Part
- Fully Protection for Overload, Short-Circuit and Overheat
- Simple Control and Compact Size
- Vertical or Horizontal Mount available

AETES Pure Sinewave 750-3000VA

PURE SINEWAVE SERIES LINE INTERACTIVE UPS SPECIFICATION

MODEL		750VA / 1000VA	1500VA	2200VA / 3000VA	
Watts		500W / 700W	900W	1500W / 2100W	
INPUT	Voltage	220 +/- 20%			
	Frequency Range	50 Hz ±5Hz for Normal Mode; >40Hz for Generator Mode			
	Surge Rating	230 Joules	250 Joules	640 Joules	
OUTPUT	Voltage	220 +/- 10%			
	Voltage Regulation (Batt. Mode)	220 ±5% RMS for entire battery voltage range			
	Frequency	50Hz			
	Frequency Regulation (Batt. Mode)	±0.1%			
	Waveform	Pure Sinewave			
Overload Rating	Line Mode	110% -0%, +8%; shutdown after 3 minutes. 150% -0%, +10%; shutdown after 10 cycles			
	Battery Mode	110% ± 6%; shutdown after 30 seconds. 120 % ± 6 %; Shutdown after 5 cycles			
TRANSFER TIME	Typical	2 ms			
BATTERY Battery	Battery Type*	12V/7AH ; 12V/9Ah	12V/7AH ; 12V/9Ah	12V/5Ah	
	Battery Number	2 pcs	4 pcs	8 pcs	
	Backup Time (depends on computer load)	5 - 30 minutes			
	Battery hot swap	YES			
	Battery Protection	Battery Overcharges/Battery deep discharge/Auto self test/Fan failure protection			
	Recharge Time	4 hours to 90%	3 hours to 90% after discharged		
INDICATORS	AC Mode	Line LED lighting			
	Backup Mode	Battery LED flashing every 4 seconds			
	Site Fault	Site Fault LED lighting (For 120Vac Models)			
	Load/Battery Level	4-segment LED bar- 0-25% : 4th LED lighting 26%-50% : 3rd and 4th LEDs lighting			
		51%-75% : 2nd, 3rd, and 4th LEDs lighting			
		76%-100% : 4 LEDs in a row all lighting			
	UPS Fault	Fault LED Lighting			
	Overload	OverLoad LED lighting			
Low Battery	Battery LED flashing every second				
AUDIBLE ALARM	Backup Mode	Sounding every 4 seconds			
	Low Battery	Sounding every second			
	UPS Fault	Continuously Sounding			
	Overload	Sounding every second			
	Battery Replacement	Sounding every second			
PHYSICAL	UPS Case	Dimension (WxHxD) mm	87 X 235 X 383	87 X 217 X 414	87 X 438 X 582
		Net weight (kgs)	9.6	18.5	31.5
	Battery Case	Dimension (WxHxD) mm	N/A	87 X 217 X 414	87 X 438 X 582
		Net weight (kgs)	N/A	12	40.3
ENVIRONMENT	Operating Environment	0- 40±C, 0-90 % relative humidity (non-condensing)			
	Noise Level	Less than 45dB			
INTERFACE	RS-232	Support Windows family, Linux and Mac			
	Dry-Contact	N/A	YES	YES	
	USB	YES	YES	YES	
	SNMP	N/A	Optional	Optional	
	EPO	N/A	YES	YES	

* Product specifications are subject to change without further notice